

锰锌氧铁材料规格尺寸 Specification and Dimensions of MnZn Ferrite Material

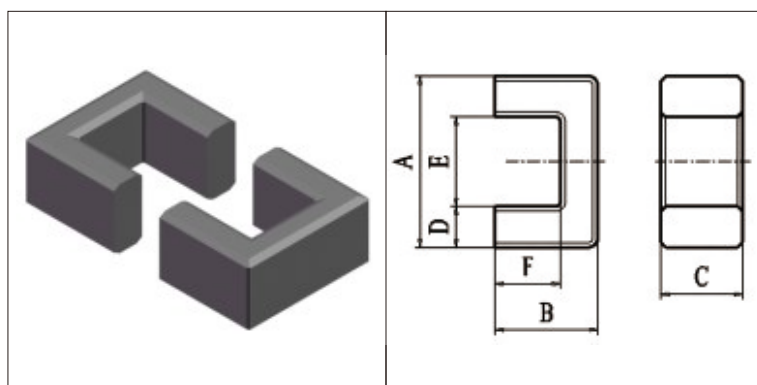


FIG.1

UF 型 / UF Core

型号 TYPE	图例 FIG.	尺寸 Dimensions (mm)					
		A	B	C	D	E	F
UF4.8/31.2/5	1	4.8±0.15	15.6±0.15	4.98±0.15		2.34±0.15	
UF6.2/11/2	1	6.2±0.2	5.5±0.1	2±0.2		3.2min	3.5±0.15
UF6.4/11.4/5	1	6.4±0.15	5.7±0.1	5±0.2	2±0.1	2.4±0.1	3.2±0.15
UF6.9/7.1/2	1	6.9±0.2	3.55±0.15	2±0.2		3.8±0.2	2.25±0.15
UF8.6/13.4/23	1	8.55±0.2	13.4±0.2	23±0.35	3.15±0.2	2.7±0.1	6.6±0.3
UF9.8/14/3B	1	9.8±0.3	7.1±0.2	2.9±0.2		4.1min	4.3±0.2
UF10.5/15.8/5C	1	10.5±0.3	7.8+0.4/-0.25	5±0.2		5.5±0.3	5.5+0.3/-0.4
UF12/16/5	1	12.0±0.3	7.8+0.2/-0	4.6+0/-0.3	2.25±0.1	7.2min	5.6+0.15/-0
UF13.1/11.6/8	1	13.1±0.2	5.8±0.15	8±0.2		5.2±0.2	1.85±0.15
UF14/14.2/3A	1	14±0.3	7.1±0.1	3±0.1		8±0.15	4.1±0.1
UF15/11/6	1	15.0±0.5	5.5±0.1	5.6±0.2	3.0±0.15	8.5min	2.8+0.2/-0.1
UF15.1/64/3.2	1	15.1±0.3	32±0.2	3.2±0.25		6.1±0.3	26±0.2
UF15.2/15.3/6.4A	1	15.2±0.5	7.8+0/-0.3	6.7+0/-0.6		5.0min	2.5±0.2
UF15/23/7K	1	15.4±0.5	11.45±0.2	6.25+0.4/-0		5.4±0.4	6.4+0.35/-0.2
UF16/20/6BD	1	15.9±0.3	9.7±0.2	6±0.2		6.5min	6±0.15
UF16/21/6G	1	16.2±0.3	10.6±0.2	6±0.2		7±0.3	6.6±0.2
UF16/24/5	1	16.2±0.25	11.8+0.4/-0	5.5+0/-0.3	5.5+0/-0.3	7.7min	8.8+0.4/-0
UF16.8/22.9/27.9	1	16.76±0.38	11.94±0.3	27.94±0.63		8.89±0.3	8.89±0.3
UF18/25/15	1	18.0±0.25	12.5±0.2	15.0±0.2		5.0±0.25	6.5±0.25
UF19.6/76/3.8	1	19.6±0.3	38±0.2	3.8±0.2		5±0.25	30.2±0.2
UF20.4/25.4/3	4	20.4±0.3	12.7±0.15	3±0.15		14.8±0.25	9.9±0.15

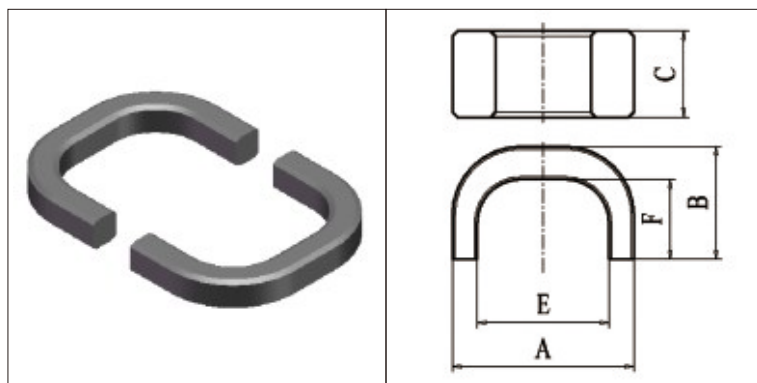


FIG.4

UF 型 / UF Core

型号 TYPE	图例 FIG.	参数 Parameters				AL(Ref)*		重量(Ref) g /PRS
		C1	Ae	Le	Ve	TP4A	TPW33	
UF4.8/31.2/5	1	7.96	6.55	52.16	341.60	270	340	1.92
UF6.2/11/2	1	8.27	3.09	25.59	79.10	230	280	0.45
UF6.4/11.4/5	1	2.29	10.68	24.49	261.60	800	980	1.40
UF6.9/7.1/2	1	7.40	2.83	20.95	59.30	210	240	0.30
UF8.6/13.4/23	1	0.43	67.14	28.85	1937.10	4100	4960	10.32
UF9.8/14/3B	1	4.36	7.94	34.63	275.00	470	600	1.40
UF10.5/15.8/5C	1	3.28	12.36	40.53	500.90	650	820	2.60
UF12/16/5	1	4.49	9.97	44.73	445.90	490	600	2.10
UF13.1/11.6/8	1	0.95	31.6	30.21	954.60	2000	2500	5.20
UF14/14.2/3A	1	4.65	9.00	41.83	376.40	480	600	1.90
UF15/11/6	1	2.45	15.56	38.17	593.90	850	1100	2.96
UF15.1/64/3.2	1	8.84	14.90	131.75	1963.00	300	390	9.80
UF15.2/15.3/6.4A	1	1.13	32.31	36.43	1177.20	1850	2350	6.50
UF15/23/7K	1	1.61	32.30	52.00	1680.00	1450	1800	9.00
UF16/20/6BD	1	2.02	24.90	50.17	1249.30	1150	1400	6.60
UF16/21/6G	1	2.06	26.04	53.72	1398.90	1150	1420	7.17
UF16/24/5	1	3.01	20.12	60.56	1218.50	730	1000	6.20
UF16.8/22.9/27.9	1	0.64	98.51	63.49	6254.70	3700	4800	32.40
UF18/25/15	1	0.59	94.66	55.59	5261.70	3750	4800	26.30
UF19.6/76/3.8	1	5.52	27.99	154.46	4323.40	480	620	22.50
UF20.4/25.4/3	4	9.29	8.40	78.00	655.20	270	340	2.70

*-Al为磁心对应参考值,具体规格以双方签订承诺书为准; AL测试条件:1kHz 0.3V 10Ts; AL单位:nH/N2

*-图例仅展示产品形状,具体细节以实物或以双方签订承诺书为准。

锰锌氧铁材料规格尺寸 Specification and Dimensions of MnZn Ferrite Material

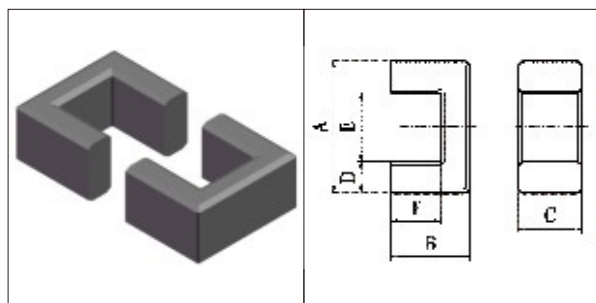


FIG.1

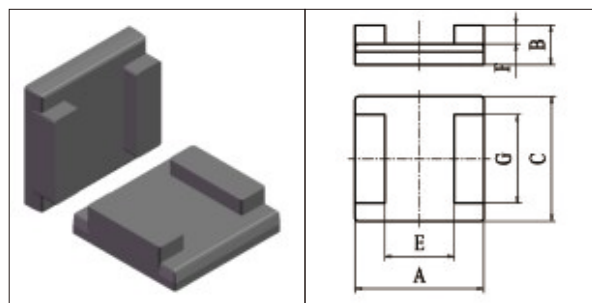


FIG.2

UF 型 / UF Core

型号 TYPE	图例 FIG.	尺寸 Dimensions (mm)					
		A	B	C	D	E	F
UF20.6/12/20A	2	20.6±0.3	12±0.2	20±0.3	4.75±0.15	11±0.25	5.2±0.15
UF22.8/23/7	1	22.8±0.3	6.7±0.2	22.7±0.3		14.1±0.3	2.7±0.2
UF23/31/5B	1	23±0.4	15.7+0.4/-0	5±0.2	5.5±0.2	12±0.4	10.2+0.4/-0
UF23.2/12.6/21	1	23.2±0.4	6.3±0.1	21±0.4	6.75±0.3	9.7±0.3	0.8±0.1
UF25/39/13A	1	24.8±0.7	20.0+0/-1.0	13.0+0/-0.5		8.2±0.3	11.0+0.5/-0
UF25/23.9/12.8	1	25±0.5	11.95±0.25	12.75±0.25		8.25±0.25	4.75±0.15
UF25.4/38/6.4	1	25.4±0.75	19+0.15/-0.1	6.35±0.25		12.45min	12.55min
UF25.5/9/19A	1	25.5±0.4	4.5±0.15	19±0.3	4±0.15	17.5±0.4	1.6±0.15
UF25.8/29.5/15.8	1	25.8±0.5	14.75±0.25	15.75±0.25		9.25±0.25	6.7±0.2
UF27/58/10B	1	27.2±0.3	29±0.25	10±0.2		14min	22.5±0.25
UF28/43/6	3	27.8±0.3	21.3±0.2	5.5±0.2	3.6±0.15	7.8±0.3	14.7±0.2
UF28/35/6.5	1	28±0.6	17.5±0.15	6.5±0.25		14.6min	11±0.2
UF30.8/50.6/16	1	30.8±1.2	25.3±0.6	16±0.4	10.2±0.2	10.4±0.6	15.15±0.25
UF30.8/52.8/26.1A	1	30.8±1.2	26.4±0.6	26.5+0/-0.8	10.2±0.2	10.4±0.4	16+0.5/-0
UF32.5/56/13A	1	32.5±0.3	27.8±0.25	12.5+0.15/-0.25	9.5±0.15	13.3min	18.2±0.2
UF33/44/10	1	33+0/-0.8	22+0/-0.4	10+0/-0.6		11.4+0.8/-0	12.5+0.4/-0
UF33/49/14.5	1	33.6+0/-0.8	24.5+0/-0.4	14.5+0/-0.6		12+0.8/-0	12.5+0.4/-0
UF34/39/13	3	33.7±0.6	19.6±0.2	12.7±0.3	8.8±0.3	8.3±0.5	11.3±0.3
UF35/67/10	1	35±0.4	33.6±0.25	10±0.2		19±0.3	25.6±0.25
UF36.3/22/3	1	36.3±0.5	11±0.5	3±0.2		28.1±0.5	7.4±0.25
UF37.1/40.6/12.7	3	37.1±0.55	20.3±0.15	12.7±0.3	8.8±0.3	11.7±0.3	11.9±0.15

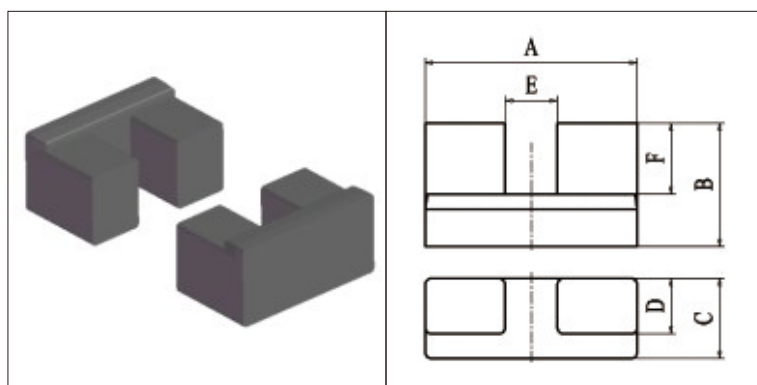


FIG.3

UF 型 / UF Core

型号 TYPE	图例 FIG.	参数 Parameters				AL(Ref)*		重量(Ref) g /PRS
		C1	Ae	Le	Ve	TP4A	TPW33	
UF20.6/12/20A	2	0.72	67.82	48.75	3306.10	3100	3890	16.80
UF22.8/23/7	1	0.50	93.88	46.70	4384.80	4550	5800	12.50
UF23/31/5B	1	2.98	27.69	82.63	2288.10	830	1050	11.00
UF23.2/12.6/21	1	0.34	122.50	41.67	5104.30	5960	7390	22.88
UF25/39/13A	1	0.83	105.61	87.40	9229.90	3000	3900	45.00
UF25/23.9/12.8	1	0.60	98.93	59.77	5912.60	3620	4590	31.56
UF25.4/38/6.4	1	2.47	39.19	96.66	3788.10	1030	1340	19.02
UF25.5/9/19A	1	0.72	58.37	51.64	3014.30	2430	3060	15.10
UF25.8/29.5/15.8	1	0.55	128.74	70.94	9132.20	4360	5590	48.00
UF27/58/10B	1	2.15	64.60	139.00	8982.00	1250	1600	46.20
UF28/43/6	3	2.07	47.27	97.86	4625.70	1050	1300	19.90
UF28/35/6.5	1	2.26	41.87	94.66	3963.40	1150	1450	9.00
UF30.8/50.6/16	1	0.70	162.94	113.37	18471.70	3850	5000	96.00
UF30.8/52.8/26.1A	1	0.44	265.81	117.77	31302.80	5950	7800	161.00
UF32.5/56/13A	1	1.10	118.25	129.92	15362.70	2400	3150	74.10
UF33/44/10	1	1.09	95.66	104.70	10015.60	2190	2860	51.14
UF33/49/14.5	1	0.72	153.60	109.90	16880.60	3520	4600	86.54
UF34/39/13	3	0.94	103.04	97.33	10029.00	2700	3500	62.60
UF35/67/10	1	2.07	80.00	165.53	13242.60	1300	1750	19.90
UF36.3/22/3	1	8.60	11.27	97.57	1099.70	300	380	5.52
UFD37.1/40.6/12.7	3	1.04	109.32	113.57	12415.60	2470	3240	63.14

*-Al为磁心对应参考值,具体规格以双方签订承诺书为准; AL测试条件:1kHz 0.3V 10Ts; AL单位:nH/N2

*-图例仅展示产品形状,具体细节以实物或以双方签订承诺书为准。

锰锌氧铁材料规格尺寸 Specification and Dimensions of **MnZn** Ferrtie Material

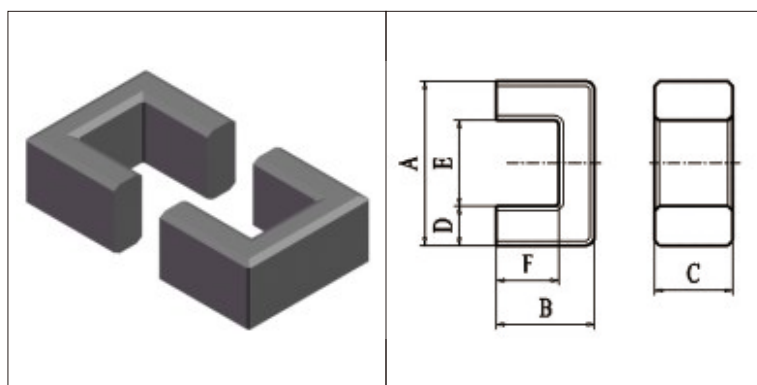


FIG.1

UF 型 / UF Core

型号 TYPE	图例 FIG.	尺寸 Dimensions (mm)					
		A	B	C	D	E	F
UF39.6/36.6/27.9B	1	39.62±1.01	18.29±0.2	27.94±0.64		11.94±0.3	4.95±0.2
UF40/49/16	3	40.3±0.4	24.6±0.2	16.3±0.3	12.2±0.3	12.3±0.4	14±0.3
UF44/52/10	1	44±0.6	26+0/-0.3	10.5+0/-0.5		17±0.5	13.7+0.3/-0
UF44/69/19	1	44±0.6	34.5+0/-0.5	19+0/-0.5		17±0.5	21±0.3
UF45.2/50/17	1	45.2±0.6	25±0.25	17±0.25		11.2±0.5	12.5±0.2
UF46/79/28A	1	46±0.5	39.5±0.5	28±0.5	14±0.3	18±0.5	25.4±0.5
UF52/38/33	1	52±0.7	19±0.2	33±0.5		18±0.7	2±0.2
UF59/67/15E	1	59.3±0.6	33.5±0.15	15.1+0.3/-0.4	9.75min	38.5min	23.5±0.25
UF80/129/31.5A	1	80±1.5	64.5±1.25	31.5±1		35min	42.5±0.75
UF128/156/29A	1	128±2	78±1.2	29±0.6	28±0.5	72±2	50±0.8

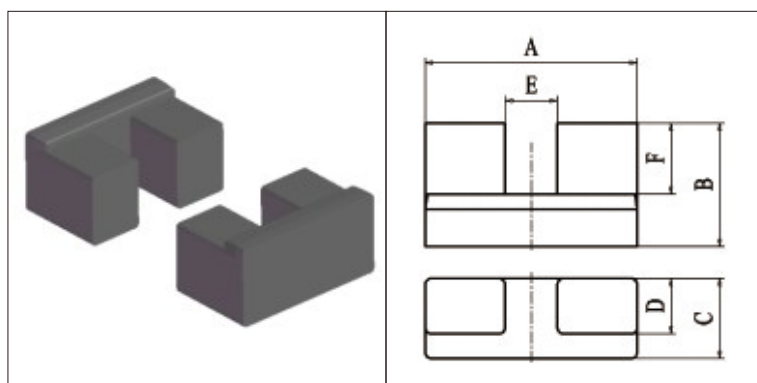


FIG.3

UF 型 / UF Core

型号 TYPE	图例 FIG.	参数 Parameters				AL(Ref)*		重量(Ref) g /PRS
		C1	Ae	Le	Ve	TP4A	TPW33	
UF39.6/36.6/27.9B	1	0.23	379.24	86.36	32749.60	10900	14120	178.00
UF40/49/16	3	0.58	202.92	117.80	23903.80	4200	4800	115.00
UF44/52/10	1	0.98	131.35	129.16	16964.50	2600	3350	92.00
UF44/69/19	1	0.65	248.44	160.63	39906.40	4250	5600	202.00
UF45.2/50/17	1	0.46	252.00	118.00	29625.00	5600	7400	152.00
UF46/79/28A	1	0.46	392.89	181.74	71403.40	5900	7800	360.00
UF52/38/33	1	0.17	561.00	97.41	54644.80	14810	19300	301.49
UF59/67/15E	1	1.35	151.31	203.77	30832.40	2050	2700	147.00
UF80/129/31.5A	1	0.44	698.16	310.50	216779.40	6400	8500	989.00
UF128/156/29A	1	0.53	812.01	431.97	350764.80	5400	7200	1732.60

*-Al为磁心对应参考值,具体规格以双方签订承诺书为准; AL测试条件:1kHz 0.3V 10Ts; AL单位:nH/N2

*-图例仅展示产品形状,具体细节以实物或以双方签订承诺书为准。