

锰锌氧铁材料规格尺寸 Specification and Dimensions of MnZn Ferrite Material

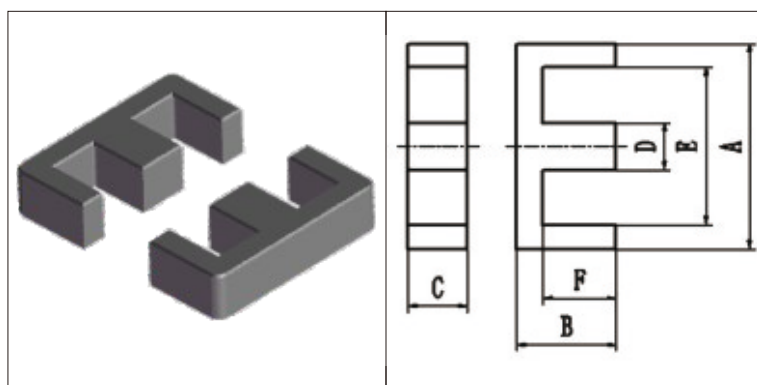


FIG.1

EE 型 / EE Core

型号 TYPE	图例 FIG.	尺寸 Dimensions (mm)					
		A	B	C	D	E	F
EE5/5/2J	1	5.25±0.15	2.65±0.1	1.95±0.1	1.35±0.1	3.8min	2±0.1
EE6.3/6/2B	1	6.3+0/-0.25	2.9±0.1	2.0±0.1	1.4±0.1	3.6min	1.9±0.1
EE8.3/10.8/3.9	1	8.3+0.25/-0.2	5.4±0.15	3.85±0.15	2.1±0.1	6.2+0.35/-0	4.4±0.15
EE8.3/8/4AA	1	8.3±0.3	4.0±0.2	3.9±0.2	2.0+0/-0.3	6.0min	3.0+0.2/-0.1
EE8.3/8/4CC	1	8.3+0.2/-0.3	4±0.2	3.9±0.15	2.15+0.05/-0.15	6.3min	3+0.2/-0.1
EE8.8/8.1/3.9	1	8.7+0.3/-0.2	4+0.2/-0.1	3.9±0.1	2.1±0.1	6.6+0.35/-0	3+0.2/-0.1
EE8.3/11.3/3.5A	1	8.3±0.2	5.65±0.1	3.5±0.1	2.15±0.1	6.3±0.2	4.65±0.1
EE9/13/3.75	1	9±0.4	6.5±0.1	3.75±0.15	2.35±0.15	5.75min	4.75±0.15
EE10.2/13.1/4.8	1	10.2±0.2	6.55±0.1	4.8±0.15	2.4±0.15	7.85±0.2	5.35±0.15
EE10/11/5H	1	10.2±0.3	5.5±0.2	4.8±0.3	2.5±0.2	7.5min	4.3±0.2
EE10.8/13.8/4.8A	1	10.8±0.2	6.9±0.1	4.75±0.15	2.45±0.15	8.5±0.2	5.4±0.15
EE11/12/3A	1	11±0.25	6±0.15	3.1±0.2	2.5±0.2	7.6±0.25	3.85±0.15
EE11.4/12.8/3.9	1	11.4±0.3	6.4±0.2	3.85±0.2	2.8±0.15	8.6±0.3	4.95±0.2
EE11.5/14.8/5	1	11.5±0.2	7.4±0.1	5±0.15	2.55±0.1	8.4±0.15	5.4±0.15
EE12/13/3.7	1	12+0.3/-0.2	6.5+0.15/-0.2	3.65±0.15	2.7±0.1	8.4+0.5/-0	4.9±0.2
EE12.5/13/4BX	1	12.6+0.5/-0.4	6.3+0.1/-0.2	3.6±0.2	3.65±0.15	8.8min	4.65+0.15/-0.2
EE12.5/13/4T	1	12.6+0.5/-0.4	6.4±0.2	3.6±0.2	3.65±0.15	8.8min	4.65±0.25
EE12.7/14.4/5.5	1	12.7±0.3	7.2+0.1/-0.2	5.5+0.1/-0.15	1.9±0.2	7.3+0.4/-0	4.7+0.1/-0.2
EE13/12/6B	1	13.0±0.4	6.0±0.3	5.9±0.3	2.8+0/-0.4	9.8min	4.6±0.3
EE13.1/13.9/3.6A	1	13.1±0.35	6.95±0.15	3.6±0.2	3.6±0.2	9.45min	5±0.15
EE13.1/14.3/3.6	1	13.13±0.2	7.13±0.2	3.55±0.2	3.53±0.15	9min	5.11±0.15

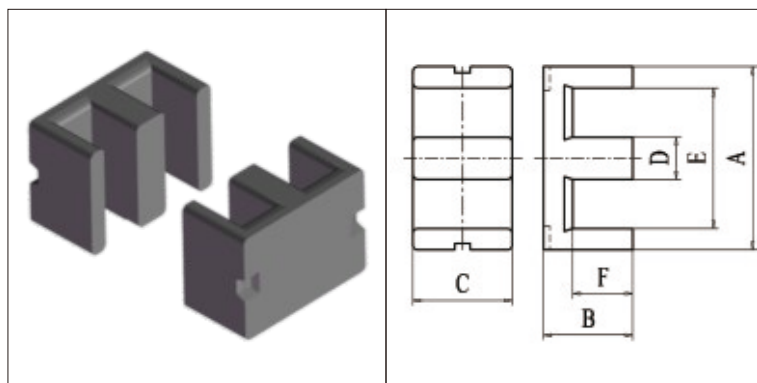


FIG.2

EE 型 / EE Core

型号 TYPE	图例 FIG.	参数 Parameters				AL(Ref)*		重量(Ref) g /PRS
		C1	Ae	Le	Ve	TS5	TS10(镜面)	
EE5/5/2J	1	4.93	2.57	12.66	32.50	400	1140	0.24
EE6.3/6/2B	1	3.50	3.53	12.34	43.60	480	1310	0.20
EE8.3/10.8/3.9	1	3.22	7.76	25.01	194.10	920	1790	1.00
EE8.3/8/4AA	1	2.63	7.46	19.63	146.50	1050	1790	0.80
EE8.3/8/4CC	1	2.70	7.21	19.47	140.40	1050	1790	0.73
EE8.8/8.1/3.9	1	2.54	7.89	20.03	158.00	1150	2080	0.82
EE8.3/11.3/3.5A	1	3.61	7.19	25.92	186.40	840	1970	0.94
EE9/13/3.75	1	2.67	10.12	27.08	274.00	1010	2350	1.53
EE10.2/13.1/4.8	1	2.68	11.43	30.60	349.70	1360	2330	1.80
EE10/11/5H	1	2.25	11.69	26.30	307.40	1500	2500	1.60
EE10.8/13.8/4.8A	1	2.68	11.8	31.6	372.9	1380	2000min	0.95
EE11/12/3A	1	2.61	9.63	25.16	242.30	1250	2260	1.30
EE11.4/12.8/3.9	1	2.76	10.88	30.07	327.20	1300	2260	1.70
EE11.5/14.8/5	1	2.15	14.9	32.0	476.8	1730	2500min	1.01
EE12/13/3.7	1	2.67	11.27	30.10	339.20	1230	2830	1.69
EE12.5/13/4BX	1	2.38	12.36	29.38	363.10	1500	2560	1.90
EE12.5/13/4T	1	2.33	12.72	29.67	377.40	1530	2670	1.96
EE12.7/14.4/5.5	1	1.71	14.56	24.92	362.9	1920	2850min	1.76
EE13/12/6B	1	1.88	16.08	30.28	487.00	1900	3330	2.50
EE13.1/13.9/3.6A	1	2.49	12.79	31.85	407.40	1500	2560	2.12
EE13.1/14.3/3.6	1	2.39	13.36	31.93	426.60	1420	3230	2.57

*-Al为磁心对应参考值,具体规格以双方签订承诺书为准; AL测试条件:1kHz 0.3V 10Ts; AL单位:nH/N2

*-图例仅展示产品形状,具体细节以实物或以双方签订承诺书为准。

锰锌氧铁材料规格尺寸 Specification and Dimensions of MnZn Ferrite Material

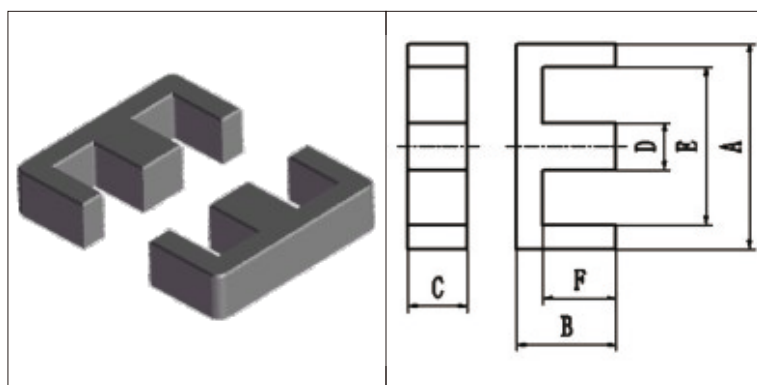


FIG.1

EE 型 / EE Core

型号 TYPE	图例 FIG.	尺寸 Dimensions (mm)					
		A	B	C	D	E	F
EE13.3/12.3/6.2	1	13.3±0.3	6.15±0.2	6.15±0.2	2.6±0.2	10.1min	4.75±0.15
EE16/15/SCP	1	16.0±0.4	7.3±0.3	5.1+0/-0.5	4.0±0.2	11.7min	5.2+0.3/-0
EE16/16/5A	1	16.+0.7/-0.5	8.2+0/-0.3	4.7+0/-0.4	4.7+0/-0.3	11.3+0.6/-0	5.7+0.4/-0
EE16/16/5AC	1	16±0.3	8.3+0/-0.3	4.5±0.2	4.5±0.2	11.45+0.7/-0	6.0±0.2
EE16/16/5B	1	16±0.5	8.1±0.3	4.5±0.3	4.5±0.2	11.4min	5.9±0.3
EE16.2/20/4.7	1	16.2±0.25	10±0.15	4.7+0.1/-0.2	4.7+0.1/-0.2	11.3+0.4/-0	7.6±0.15
EE16.3/25/4.7	1	16.4+0.2/-0.4	12.45+0.2/-0.15	4.8+0/-0.3	4.15±0.15	12.2min	10.45+0.2/-0.15
EE16.5/13/9	1	16.48±0.3	6.5+0.1/-0.25	9±0.2	3.18+0/-0.3	9.78min	4+0.4/-0
EE16/25/5E	1	16.8±0.2	12.5±0.3	4.85±0.2	4.0±0.15	12.5min	10.3±0.3
EE17.5/15/4.9	1	17.5±0.3	7.5±0.2	4.9±0.2	4.7±0.15	12.7min	5.3±0.15
EE19/16/5A	1	19±0.4	8±0.3	5+0.1/-0.5	5+0/-0.5	13.8min	5.6+0.4/-0.1
EE19/27/5E	1	19.0±0.4	13.6±0.3	5.1+0/-0.5	5.1+0/-0.5	13.5min	11.3±0.3
EE20/19.8/5.7C	1	20±0.6	9.9±0.2	5.7±0.25	5.7±0.2	14.8min	7.2±0.2
EE20/20/6EO	1	20±0.35	10.1+0/-0.3	5.9+0/-0.3	5.9+0/-0.4	14.6min	7+0.4/-0
EE20/20/6F	1	20.0±0.6	9.9±0.2	5.7±0.25	5.7±0.2	14.1min	7.2±0.2
EE20/22/6C	1	20±0.4	10.95±0.15	5.7±0.2	5.65±0.15	14.6±0.3	8.25±0.15
EE20/20/5	1	20.4±0.4	10±0.2	5.1±0.25	5.1±0.2	13min	6.9±0.2
EE20.4/18.9/10.8	1	20.4+0.35/-0.2	9.45+0/-0.4	10.75±0.2	5.9+0/-0.4	14.6+0.6/-0	6.4±0.2
EE20.5/21.4/7B	1	20.5±0.3	10.7±0.3	7±0.3	6±0.2	14.5±0.3	7±0.2
EE21/15.8/3.8	1	21±0.3	7.9±0.1	3.8±0.15	4.2±0.2	9.6+0.3/-0.2	4.4±0.15
EE21.8/12.9/15.8	2	21.8±0.4	6.45±0.15	15.8+0.2/-0.3	5±0.1	16.8±0.4	3.95±0.15

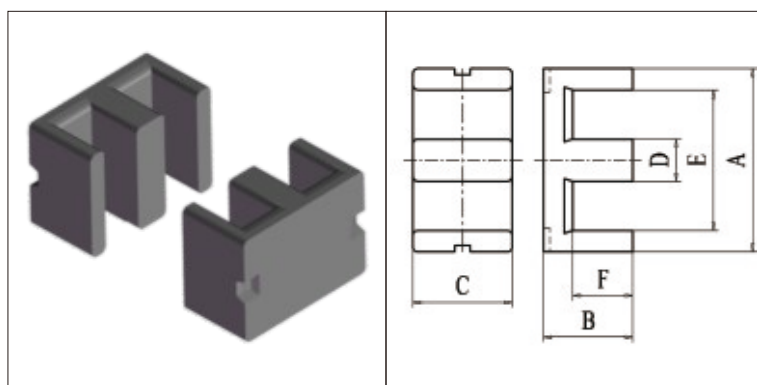


FIG.2

EE 型 / EE Core

型号 TYPE	图例 FIG.	参数 Parameters				AL(Ref)*		重量(Ref) g /PRS
		C1	Ae	Le	Ve	TS5	TS10(镜面)	
EE13.3/12.3/6.2	1	1.84	16.94	31.10	526.80	2000	3450	2.74
EE16/15/5CP	1	1.87	19.08	35.66	680.40	1800	3570	3.56
EE16/16/5A	1	1.84	20.29	37.46	760.10	1850	3690	3.95
EE16/16/5AC	1	1.95	19.48	38.06	741.50	1750	3510	3.86
EE16/16/5B	1	1.94	19.42	37.77	733.60	1750	3510	3.80
EE16.2/20/4.7	1	2.04	21.87	44.69	977.30	1800	3570	5.10
EE16.3/25/4.7	1	3.06	18.45	56.45	1041.50	1350	2500	5.40
EE16.5/13/9	1	0.80	35.61	28.63	1019.50	3650	7620	5.30
EE16/25/5E	1	2.83	19.96	56.48	1127.30	1450	2740	5.86
EE17.5/15/4.9	1	1.65	22.20	36.55	811.30	2050	4050	4.22
EE19/16/5A	1	1.77	22.46	39.71	891.90	1950	3930	4.64
EE19/27/5E	1	2.60	23.69	61.69	1461.40	1650	3000	7.60
EE20/19.8/5.7C	1	1.58	29.31	46.40	1360.00	2350	4580	7.10
EE20/20/6EO	1	1.50	30.96	46.47	1438.70	2500	4760	7.48
EE20/20/6F	1	1.49	31.13	46.32	1441.90	2500	4760	7.50
EE20/22/6C	1	1.61	31.28	50.51	1579.90	2400	4640	8.20
EE20/20/5	1	1.49	30.08	44.75	1346.20	2500	4820	7.00
EE20.4/18.9/10.8	1	0.73	60.47	44.42	2686.1	5800	8200min	6.89
EE20.5/21.4/7B	1	1.06	44.29	46.73	2069.70	3600	6900	10.80
EE21/15.8/3.8	1	1.37	21.94	30.07	659.7	2600	6300min	2.64
EE21.8/12.9/15.8	2	0.45	78.75	35.45	2791.7	8600	3150min	7.25

*-Al为磁心对应参考值,具体规格以双方签订承诺书为准; AL测试条件:1kHz 0.3V 10Ts; AL单位:nH/N2

*-图例仅展示产品形状,具体细节以实物或以双方签订承诺书为准。

锰锌氧铁材料规格尺寸 Specification and Dimensions of MnZn Ferrite Material

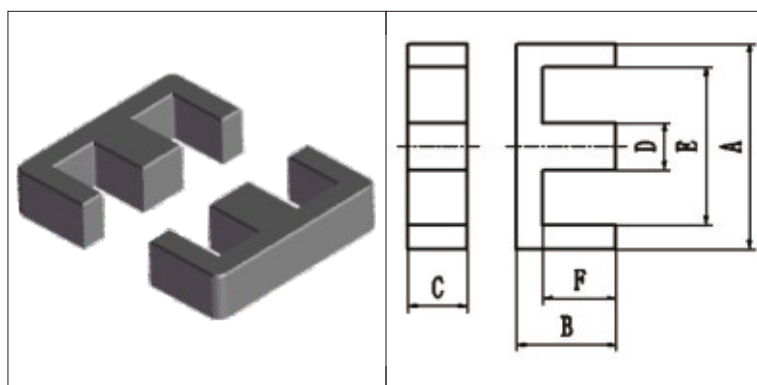


FIG.1

EE 型 / EE Core

型号 TYPE	图例 FIG.	尺寸 Dimensions (mm)					
		A	B	C	D	E	F
EE22/8/20D	1	22±0.3	4±0.15	20±0.5	5±0.25	16.75min	1.5±0.15
EE22/22.5/5.7	1	22±0.6	11.25±0.25	5.7±0.25	5.75±0.25	15.9±0.25	8.25±0.25
EE22/30/6D	1	22.0±0.6	15.0±0.3	6.0+0/-0.5	6.0+0/-0.5	15.6min	11.0±0.3
EE22.3/22.5/5.7A	1	22.3±0.4	11.25±0.25	5.7±0.2	5.75±0.2	16.2±0.4	8.25±0.25
EE25/19/6E	1	25.4±0.5	9.7±0.3	6.3±0.2	6.35±0.25	18.55min	6.65±0.35
EE25/20/6AP	1	25.6±0.5	10.0±0.3	6.35±0.3	6.35±0.3	18.8min	6.8±0.35/-0.1
EE25/20/6H	1	25.6±0.5	10.0±0.3	6.35±0.3	6.35±0.3	18.8min	6.8±0.25
EE25/26/7B	1	25.05±0.75	12.55±0.25	7.2±0.3	7.25±0.25	17.5min	8.95±0.25
EE25/32/6	1	25.4±0.4	15.9±0.25	6.35±0.25	6.35±0.3	18.8min	12.7±0.3
EE25/32/6F	1	25.3±0.5/-0.3	15.8±0.3/-0.1	6.35±0.25	6.5±0.2/-0.25	19.3±0.4/-0.2	12.7±0.25
EE25/32/7	1	25.3±0.5/-0.3	16.0±0.3	7.0+0/-0.5	6.5±0.3/-0.25	19.1min	12.8±0.3
EE25.4/19.6/6.3A	1	25.4±0.5	9.8±0.2	6.3±0.2	6.35±0.25	18.55min	6.8±0.2
EE30/30/7B	1	30.5±0.5	15±0.3	7±0.3	6.9±0.3	19.5min	10.2±0.3
EE32/32/9V	1	32.1±0.8	16.4±0.3	9.15±0.35	9.2±0.3	23.2±0.5	11.8±0.3
EE35/29/9O	1	34.5±1.0	14.5±0.3	9.2±0.3	9.4±0.3	25.5min	9.9±0.3
EE35/29/9J	1	35±0.6	14.6±0.3	9.2±0.3	9.4±0.3	25.1min	9.8±0.3
EE35/30/9	1	35.0±0.6	14.6±0.3	9.2±0.3	9.4±0.3	24.8min	9.8±0.3
EE36/37/15B	1	36±0.6	18.6+0/-0.4	15.1+0/-0.5	10.2+0/-0.5	25±0.4	12.8±0.5/-0
EE37.2/37/22A	1	37.2±0.5	18.5±0.15	22±0.35	7.2±0.15	23.2±0.5	11.5±0.2
EE40/35/12B	1	40.0±0.7	17.3±0.3	12.0+0/-0.6	12.0+0/-0.6	26.8min	10.3±0.3
EE41/34/13A	1	40.6±0.6	16.5±0.3	12.5±0.3	12.5±0.3	28.6min	10.5±0.3

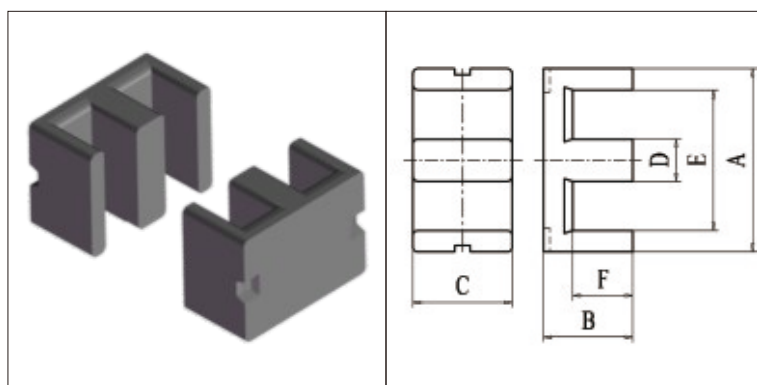


FIG.2

EE 型 / EE Core

型号 TYPE	图例 FIG.	参数 Parameters				AL(Ref)*		重量(Ref) g /PRS
		C1	Ae	Le	Ve	TS5	TS10(镜面)	
EE22/8/20D	1	0.26	99.81	25.88	2583.4	12900	19100min	6.85
EE22/22.5/5.7	1	1.55	33.85	52.48	1776.50	2550	4820	9.20
EE22/30/6D	1	1.83	35.28	64.40	2272.00	2350	4350	11.80
EE22.3/22.5/5.7A	1	1.56	33.86	52.78	1786.96	2550	4820	9.30
EE25/19/6E	1	1.24	39.42	49.06	1934.10	3100	5890	10.00
EE25/20/6AP	1	1.27	39.76	50.44	2005.50	3050	5890	10.40
EE25/20/6H	1	1.24	40.33	50.14	2022.30	3150	6010	10.50
EE25/26/7B	1	1.14	50.86	57.93	2946.10	3650	6790	15.30
EE25/32/6	1	1.84	40.03	73.59	2945.90	2450	4460	15.30
EE25/32/6F	1	1.85	39.77	73.56	2925.60	2450	4400	15.20
EE25/32/7	1	1.77	41.76	73.93	3087.50	2550	4640	16.00
EE25.4/19.6/6.3A	1	1.27	39.18	49.57	1942.20	3050	5830	10.00
EE30/30/7B	1	1.12	59.03	66.07	3900.30	3900	7140	20.30
EE32/32/9V	1	0.91	83.16	75.52	6280.00	5050	9050	32.60
EE35/29/9O	1	0.87	80.88	70.42	5695.60	5100	9170	29.60
EE35/29/9J	1	0.81	86.77	70.37	6106.40	5500	10000	31.80
EE35/30/9	1	0.80	87.69	70.20	6155.40	5550	10000	32.00
EE36/37/15B	1	0.54	155.62	83.74	13030.20	8800	15710	67.80
EE37.2/37/22A	1	0.34	214.95	73.78	15859.0	14600	20200min	54.35
EE40/35/12B	1	0.52	148.23	77.13	11433.00	8850	15830	59.50
EE41/34/13A	1	0.52	149.22	77.41	11551.40	8890	15830	60.10

*-Al为磁心对应参考值,具体规格以双方签订承诺书为准; AL测试条件:1kHz 0.3V 10Ts; AL单位:nH/N2

*-图例仅展示产品形状,具体细节以实物或以双方签订承诺书为准。

锰锌氧铁材料规格尺寸 Specification and Dimensions of **MnZn** Ferrtie Material

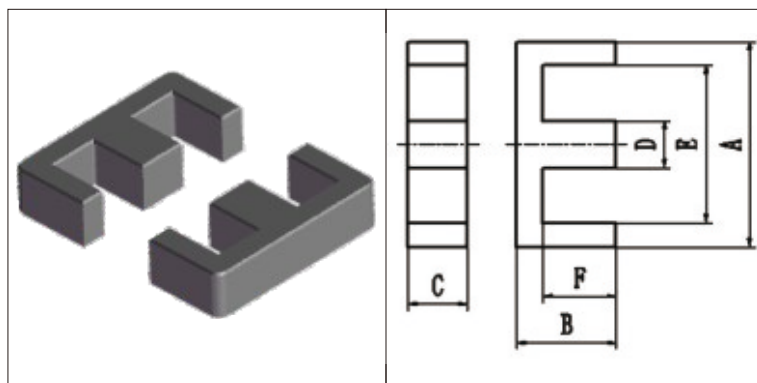


FIG.1

EE 型 / EE Core

型号 TYPE	图例 FIG.	尺寸 Dimensions (mm)					
		A	B	C	D	E	F
EE43.2/19.1/27.9	1	43.2±0.51	9.55±0.2	27.9±0.38	8.1±0.2	34.7min	5.7±0.2
EE48/48/28	1	48+0/-1	24±0.2	28+0/-1	10±0.2	28±0.5	14±0.2

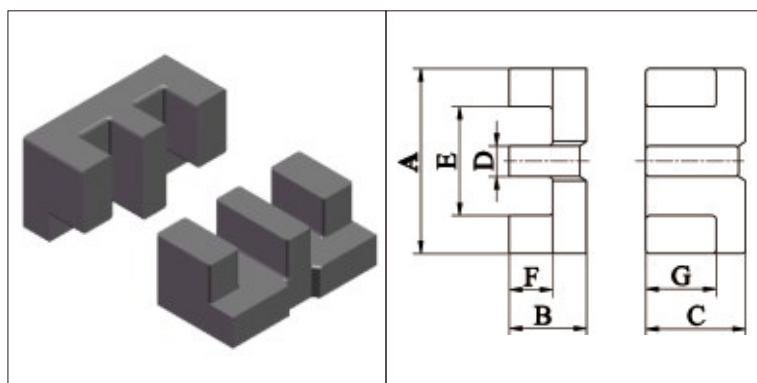


FIG.1

EED 型 / EED Core

型号 TYPE	图例 FIG.	尺寸 Dimensions (mm)						
		A	B	C	D	E	F	G
EED16.3/13.6/8.8A	1	16.3±0.3	6.95±0.1	8.8±0.3	2.7±0.2	9.6±0.3	3.95±0.15	6.2±0.3

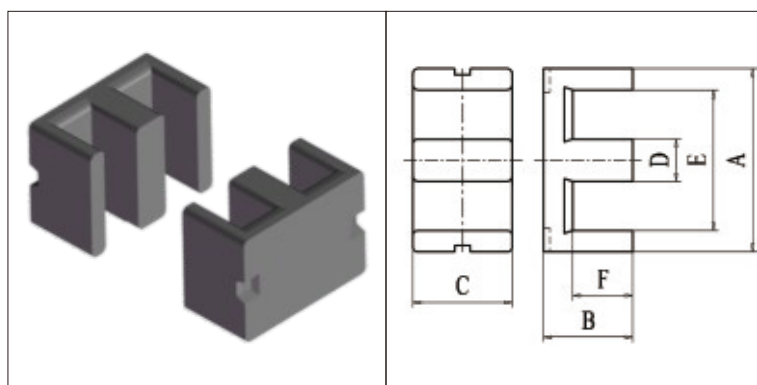


FIG.2

EE 型 / EE Core

型号 TYPE	图例 FIG.	参数 Parameters				AL(Ref)*		重量(Ref) g / PRS
		C1	Ae	Le	Ve	TS5	TS10(镜面)	
EE43.2/19.1/27.9	1	0.28	221.68	61.95	13733.10	15000	26190	71.40
EE48/48/28	1	0.24	375.8	91.7	34460.9	21790	29600min	119.66

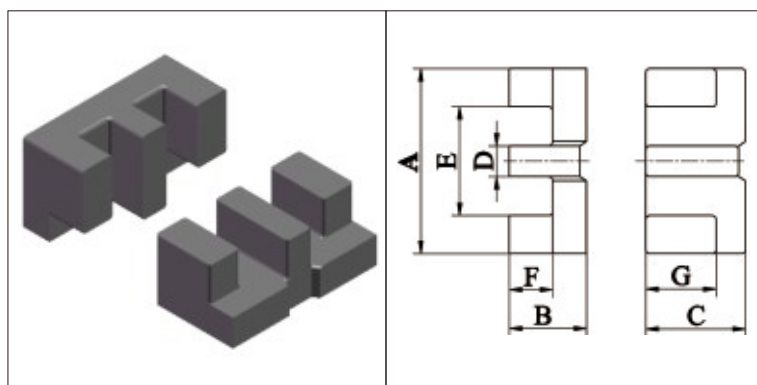


FIG.1

EED 型 / EED Core

型号 TYPE	图例 FIG.	参数 Parameters				AL(Ref)*		重量(Ref) g / PRS
		C1	Ae	Le	Ve	TS5	TS10(镜面)	
EED16.3/13.6/8.8A	1	0.91	31.00	29.00	902.00	2700	6670	4.70

*-Al为磁心对应参考值,具体规格以双方签订承诺书为准; AL测试条件:1kHz 0.3V 10Ts; AL单位:nH/N²

*-图例仅展示产品形状,具体细节以实物或以双方签订承诺书为准。