

锰锌氧铁材料规格尺寸 Specification and Dimensions of MnZn Ferrite Material

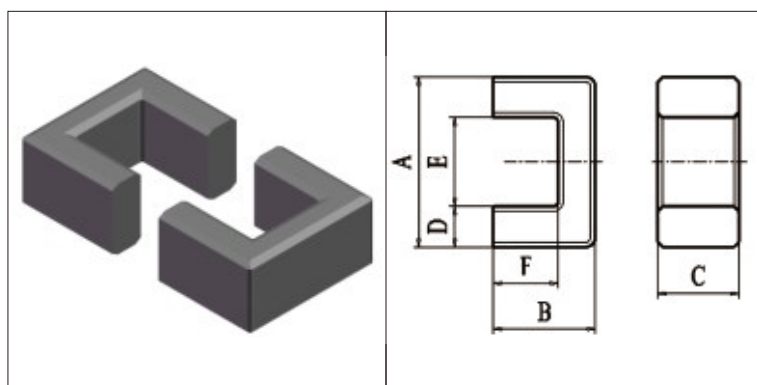


FIG.1

UF 型 / UF Core

型号 TYPE	图例 FIG.	尺寸 Dimensions (mm)					
		A	B	C	D	E	F
UF4.6/6.8/2.6	1	4.6±0.2	3.4±0.15	2.6+0.1/-0.15	1.45+0.05/-0.2	1.7+0.2/-0.1	2.1+0.15/-0.1
UF4.6/12/4	1	4.6±0.1	6.0±0.1	3.6±0.15		2.6±0.1	4.6±0.1
UF6.4/10/5	1	6.4±0.15	5±0.1	5±0.2	2±0.1	2.4±0.1	2.5±0.1
UF8.6/13/4E	1	8.6±0.2	6.45±0.2	3.6±0.2		4min	4.2±0.2
UF9.8/14/3AF	1	9.8±0.2	7.2±0.2	2.7±0.2		4.1min	4.2±0.2
UF9.8/14/3B	1	9.8±0.3	7.1±0.2	2.9±0.2		4.1min	4.3±0.2
UF9.8/16/3E	1	9.9±0.2	8.2+0/-0.2	2.95±0.15		4.35±0.2	5+0.3/-0
UF9.9/15.7/6.4	1	9.9±0.2	7.85±0.15	6.4±0.2		4.9±0.2	5.45±0.15
UF10.5/16/5B	1	10.5±0.3	7.8±0.3	5.0±0.3		5.2min	5.3±0.3
UF11/16/5E	1	11.0±0.4	8.3+0/-0.3	5.3+0/-0.5		5.6min	5.3min
UF11/16.1/5.4A	1	11±0.3	8.05±0.1	5.4+0.1/-0.2	2.5±0.2	5.5min	5.8+0.2/-0.1
UF11.2/16/5.4	1	11.2±0.2	8±0.2	5.35±0.15		5.9min	5.65±0.15
UF13.2/20.4/9	1	13.2±0.3	10.2±0.2	9±0.25	3.25±0.15	6.7±0.2	6.9±0.2
UF13.2/34.8/13	1	13.2±0.2	17.4±0.1	13±0.2		7.4±0.2	14.5±0.15
UF14.1/13.4/2.7	1	14+0.5/-0.4	6.7+0/-0.2	2.8+0/-0.3		8.4+0.6/-0	4.7+0.3/-0
UF15/23/7B	1	15.2±0.5	11.7±0.2	6.7+0/-0.5		5.0min	6.35min
UF15.4/13.2/7.1	1	15.4±0.45	6.6±0.2	7.1+0/-0.5		9.4±0.3	4±0.15
UF16/20/6C	1	16.0±0.4	10.0±0.3	6.0±0.3		6.7min	6.0±0.3
UF16/35/8	1	16±0.3	17.5±0.2	8±0.2		7±0.25	13±0.2
UF16.5/26.4/11.2	1	16.5±0.3	13.2±0.25	11.2±0.25	4.5±0.15	7.5±0.2	8.7±0.2
UF18.5/9.8/10	2	15.46+0/-0.6	4.9±0.1	10+0/-0.6	3.7±0.25	7.46+0.6/-0	1.5+0.3/-0

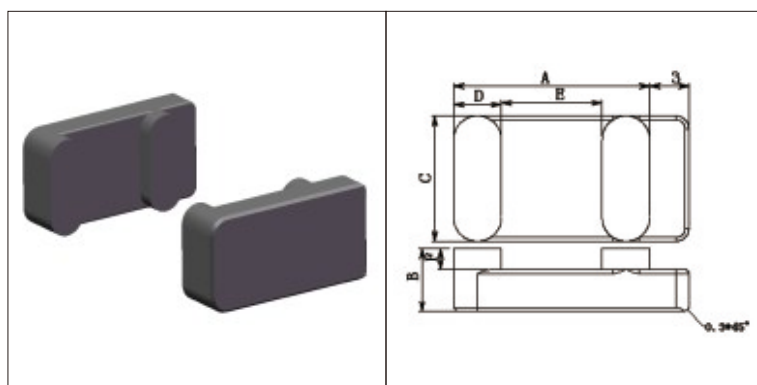


FIG.2

UF 型 / UF Core

型号 TYPE	图例 FIG.	参数 Parameters				AL(Ref)*		重量(Ref) g /PRS
		C1	Ae	Le	Ve	TS5	TS10(镜面)	
UF4.6/6.8/2.6	1	4.28	3.62	15.49	56.10	520	1280	0.32
UF4.6/12/4	1	7.02	3.84	26.95	103.50	490	870	0.50
UF6.4/10/5	1	2.01	10.79	21.71	234.20	1500	2710	1.20
UF8.6/13/4E	1	4.03	7.99	32.19	257.20	920	1550	1.34
UF9.8/14/3AF	1	4.49	7.66	34.39	263.40	850	1790	1.38
UF9.8/14/3B	1	4.36	7.94	34.63	275.00	880	1790	1.43
UF9.8/16/3E	1	4.58	8.35	38.27	319.50	880	1550	1.66
UF9.9/15.7/6.4	1	2.49	15.77	39.29	619.60	1510	3340	2.79
UF10.5/16/5B	1	3.20	12.50	40.05	500.70	1250	2620	2.60
UF11/16/5E	1	3.05	13.46	40.99	551.80	1350	2380	2.87
UF11/16.1/5.4A	1	3.25	3.25	42.7	550.80	1270	2580	3.00
UF11.2/16/5.4	1	3.26	13.05	42.59	555.80	1190	2620	2.74
UF13.2/20.4/9	1	1.74	29.41	51.29	1508.40	2400	5160	7.70
UF13.2/34.8/13	1	2.17	37.70	81.91	3088.00	2270	4650	15.10
UF14.1/13.4/2.7	1	5.50	5.99	32.92	197.20	490	1100	1.22
UF15/23/7B	1	1.66	31.94	52.88	1689.00	2700	7140	8.80
UF15.4/13.2/7.1	1	2.21	19.60	43.40	850.60	1770	3880	4.12
UF16/20/6C	1	2.01	25.50	51.37	1309.90	2200	4760	6.80
UF16/35/8	1	2.23	36.00	80.14	2884.90	2200	4520	14.32
UF16.5/26.4/11.2	1	1.25	50.40	63.14	3182.30	3620	7620	6.88
UF18.5/9.8/10	2	0.78	42.60	33.13	1411.20	4160	9410	3.29

*-AL为磁心对应参考值,具体规格以双方签订承诺书为准; AL测试条件:1kHz 0.3V 10Ts; AL单位:nH/N²

*-图例仅展示产品形状,具体细节以实物或以双方签订承诺书为准。

锰锌氧铁材料规格尺寸 Specification and Dimensions of MnZn Ferrite Material

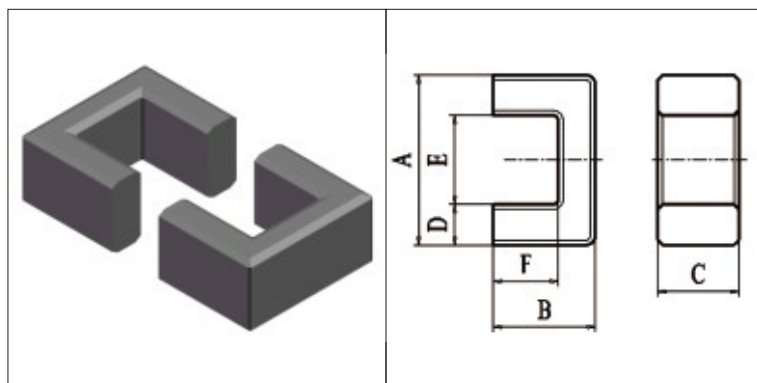


FIG.1

UF 型 / UF Core

型号 TYPE	图例 FIG.	尺寸 Dimensions (mm)					
		A	B	C	D	E	F
UF19.5/28/11.5	1	19.5±0.3	14±0.2	11.5±0.2	4.5±0.1	10.5±0.2	9.5±0.2
UF19.7/35.4/48	1	19.7±0.4	17.7±0.2	48±0.4	6±0.2	7.4min	11.7±0.2
UF20/28/4B	1	20±0.4	14±0.2	3.9±0.2		8±0.2	8±0.2
UF20.2/28/11B	1	20.2±0.3	14±0.2	11±0.2		10.3±0.3/-0	9±0.2
UF20.5/28/11	1	20.5±0.4	14.2±0.1	11±0.2		10.5±0.4	9.2±0.15
UF20.5/29.8/12	1	20.5±0.5	14.9±0.3	12±0.25		8.9±0.4	9.1±0.2
UF21/32/8B	1	21.7±0.4	16±0.2	8.0±0/-0.4		7.0±0.4	8.5±0.25
UF22.3/30/9	1	22.3±0.4	15±0.2	9±0.2		10.3±0.3	9±0.2
UF24.6/28/23.2	1	24.6±0.3	14±0.3	23.2±0.2	3.5±0.1	17.6±0.3	10.5±0.1
UF25/38/13	1	24.8±0.7	19±0/-1	13.0±0/-0.5		8.2±0.3	10±0.5/-0
UF26.5/34/16A	1	26.5±0.4	17±0.2	16±0.2	4.75±0.2	17±0.4	12.2±0.2
UF26.6/34/16.2	1	26.6±0.3	17±0.2	16.2±0.2	5±0.1	16.6±0.2	12±0.2
UF27/34/16B	1	27±0.2/-0.3	17±0.2	16±0.2	5±0.15	17±0.2/-0.3	12±0.2
UF27.1/15.4/17	1	27.1±0.4	7.7±0.2	17±0.4	9.4±0.3	8.3±0.3	1.5±0.3
UF27.3/14.9/7.5	1	27.3±0.5	8.34±0.1	7.5±0.3			
UF28.3/36/14	1	28.3±0.4	18±0.2	14±0.3		16.3±0.4	12±0.2
UF39/42.5/20	1	38.3±0.5	21.05±0.3	19.6±0.35		11.25±0.35	14.45±0.2
UF40/52/16A	1	40±0.5	26±0.2	16±0.3		25±0.4	18.5±0.2
UF40.7/70.8/10	1	40.7±0.4	35.4±0.2	10±0.3		24.9±0.4	27.5±0.25
UF41.5/51/18B	1	41.4±0.2/-0.4	25.5±0.2	18±0.2	7±0.15	27.4±0.3	18.5±0.2
UF41.5/50.4/15.1	1	41.5±0.7	25.2±0.3	15.1±0.3	6±0.3	29min	18.9±0.3

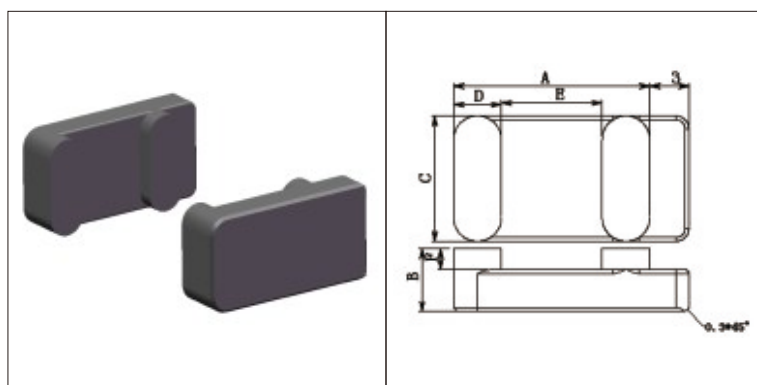


FIG.2

UF 型 / UF Core

型号 TYPE	图例 FIG.	参数 Parameters				AL(Ref)*		重量(Ref) g /PRS
		C1	Ae	Le	Ve	TS5	TS10(镜面)	
UF19.5/28/11.5	1	1.41	51.75	73.14	3785.00	3550	5830	19.70
UF19.7/35.4/48	1	0.28	288.00	81.05	23341.80	18300	29760	121.40
UF20/28/4B	1	2.86	23.40	66.85	1564.30	1700	2800	8.10
UF20.2/28/11B	1	1.34	54.16	72.40	3921.30	3700	6070	20.40
UF20.5/28/11	1	1.34	55.00	74.00	4043.00	3700	6070	21.00
UF20.5/29.8/12	1	1.04	69.60	72.42	5040.50	4560	9460	25.70
UF21/32/8B	1	1.24	57.74	71.32	4118.10	4000	6550	21.40
UF22.3/30/9	1	1.40	54.00	75.45	4074.20	3600	5950	21.20
UF24.6/28/23.2	1	1.09	81.20	88.20	7161.40	4630	9430	17.64
UF25/38/13	1	0.79	105.60	83.40	8806.50	6500	10600	45.80
UF26.5/34/16A	1	1.28	76.34	97.80	7465.90	4200	6670	38.80
UF26.6/34/16.2	1	1.20	81.00	96.91	7849.70	4310	8710	37.62
UF27/34/16B	1	1.22	80.00	97.71	7816.60	4400	7080	40.60
UF27.1/15.4/17	1	0.38	121.63	46.20	5619.30	9200	20010	32.11
UF27.3/14.9/7.5	1	3.11	22.50	69.89	1572.40	1510	3150	7.90
UF28.3/36/14	1	1.18	84.00	99.45	8353.70	4550	7260	43.40
UF39/42.5/20	1	0.55	0.55	102.37	18949.40	9850	18400	92.85
UF40/52/16A	1	1.23	120.00	148.00	17708.00	4700	7380	92.10
UF40.7/70.8/10	1	2.34	79.00	184.62	14584.80	2510	4850	71.92
UF41.5/51/18B	1	1.20	125.49	150.71	18912.70	4850	7620	98.30
UF41.5/50.4/15.1	1	1.66	92.53	153.84	14235.00	3500	5600	74.00

*-Al为磁心对应参考值,具体规格以双方签订承诺书为准; AL测试条件:1kHz 0.3V 10Ts; AL单位:nH/N2

*-图例仅展示产品形状,具体细节以实物或以双方签订承诺书为准。

锰锌氧铁材料规格尺寸 Specification and Dimensions of **MnZn** Ferrtie Material

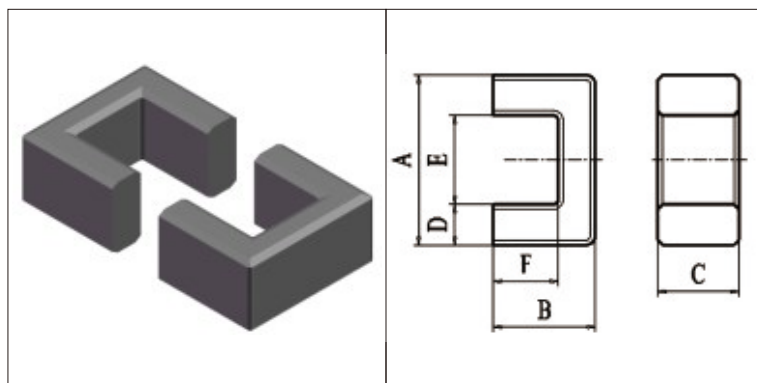


FIG.1

UF 型 / UF Core

型号 TYPE	图例 FIG.	尺寸 Dimensions (mm)					
		A	B	C	D	E	F
UF41.8/52.3/16.3A	1	42+0/-0.5	26+0.3/-0	16.5+0/-0.4	8.3±0.15	25+0.5/-0	17.5+0.3/-0
UF41.9/17.2/10	1	41.9±0.4	8.6±0.2	10±0.3	16.6±0.4		1.5±0.25
UF43.2/19/27.9	1	43.2±0.9	9.5±0.15	27.9±0.6		35.4±0.7	5.4±0.15
UF44.4/16/52	3	44.4±0.6	8±0.2	52±1		32.4±0.4	4±0.25
UF44.4/16/57	3	44.4±0.6	8±0.2	57±1		32.4±0.4	4±0.25
UF45/42/12A	1	45±0.3	21±0.2	12±0.25	7±0.2	31±0.25	14±0.2
UF46/79/28A	1	46±0.5	39.5±0.5	28±0.5	14±0.3		25.4±0.5
UF54.7/71.7/19.5A	1	55+0/-0.6	35.7+0.3/-0	19.5±0.2	8.5+0.3/-0	37.4+0.2/-0.3	27+0.3/-0
UF56.1/47.2/15.8A	1	56.1±0.6	23.6±0.25	15.75±0.25		38.6±0.6	17.6±0.25
UF59/67/15B	1	59+0.2/-0.4	33.5±0.2	15±0.2	10±0.2	39+0.3/-0.35	23.5±0.2
UF67/46.7/40	1	67±1	23.35±0.3	40±0.5		56min	18.25±0.3

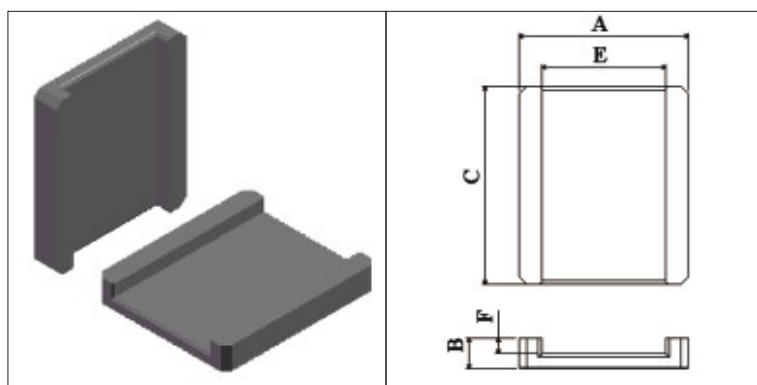


FIG.3

UF 型 / UF Core

型号 TYPE	图例 FIG.	参数 Parameters				AL(Ref)*		重量(Ref) g /PRS
		C1	Ae	Le	Ve	TS5	TS10(镜面)	
UF41.8/52.3/16.3A	1	1.08	136.19	147.39	20072.40	5350	8330	104.40
UF41.9/17.2/10	1	0.83	81.76	67.79	5542.80	4870	10160	31.72
UF43.2/19/27.9	1	0.93	112.81	104.92	11836.40	5900	9170	61.50
UF44.4/16/52	3	0.42	223.40	94.55	21123.10	11270	22820	111.76
UF44.4/16/57	3	0.39	244.88	94.55	23153.60	12350	25010	122.58
UF45/42/12A	1	1.67	84.00	139.99	11759.20	3450	5480	61.10
UF46/79/28A	1	0.46	392.89	181.74	71403.40	12900	19050	370.00
UF54.7/71.7/19.5A	1	1.25	169.08	210.65	35617.20	4900	7620	18.50
UF56.1/47.2/15.8A	1	1.53	108.56	165.79	17998.20	3850	6070	93.60
UF59/67/15B	1	1.36	149.59	203.34	30417.30	4450	7000	158.00
UF67/46.7/40	1	1.00	202.37	202.85	41049.90	5860	11280	102.53

*-Al为磁心对应参考值,具体规格以双方签订承诺书为准; AL测试条件:1kHz 0.3V 10Ts; AL单位:nH/N2

*-图例仅展示产品形状,具体细节以实物或以双方签订承诺书为准。