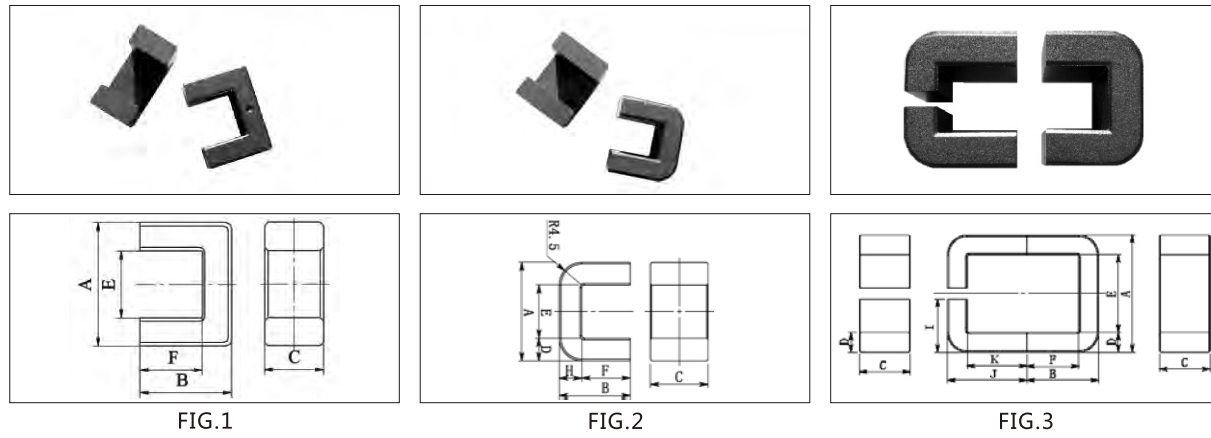


**UF 型 / UF Core**

型号 TYPE	图例 FIG.	尺寸 Dimensions ( mm )					
		A	B	C	D	E	F
UF4.6/12/4	1	4.6±0.1	6.0±0.1	3.6±0.15		2.6±0.1	4.6±0.1
UF6.4/10/5	1	6.4±0.15	5±0.1	5±0.2	2±0.1	2.4±0.1	2.5±0.1
UF8.6/13/4E	1	8.6±0.2	6.45±0.2	3.6±0.2		4min	4.2±0.2
UF9.8/14/3AF	1	9.8±0.2	7.2±0.2	2.7±0.2		4.1min	4.2±0.2
UF9.8/14/3B	1	9.8±0.3	7.1±0.2	2.9±0.2		4.1min	4.3±0.2
UF9.8/16/3E	1	9.9±0.2	8.2+0/-0.2	2.95±0.15		4.35±0.2	5+0.3/-0
UF10.5/16/5B	1	10.5±0.3	7.8±0.3	5.0±0.3		5.2min	5.3±0.3
UF11/16/5E	1	11.0±0.4	8.3+0/-0.3	5.3+0/-0.5		5.6min	5.3min
UF13.6/21.6/10.4B	3	13.6±0.25	9.8±0.2	10.4±0.2	3.6±0.2	6.4±0.2	6.2±0.25
UF15/23/7B	1	15.2±0.5	11.7±0.2	6.7+0/-0.5		5.0min	6.35min
UF16/20/6C	1	16.0±0.4	10.0±0.3	6.0±0.3		6.7min	6.0±0.3
UF19.5/28/11.5	2	19.5±0.3	14±0.2	11.5±0.2	4.5±0.1	10.5±0.2	9.5±0.2
UF19.7/35.4/48	1	19.7±0.4	17.7±0.2	48±0.4	6±0.2	7.4min	11.7±0.2
UF20/28/4B	1	20±0.4	14±0.2	3.9±0.2		8±0.2	8±0.2
UF20.2/28/11B	1	20.2±0.3	14±0.2	11±0.2		10.3+0.3/-0	9±0.2
UF20.5/28/11	1	20.5±0.4	14.2±0.1	11±0.2		10.5±0.4	9.2±0.15
UF21/32/8B	1	21.7±0.4	16±0.2	8.0+0/-0.4		7.0±0.4	8.5±0.25
UF22.3/30/9	2	22.3±0.4	15±0.2	9±0.2		10.3±0.3	9±0.2
UF25/38/13	1	24.8±0.7	19+0/-1	13.0+0/-0.5		8.2±0.3	10+0.5/-0
UF26.5/34/16A	1	26.5±0.4	17±0.2	16±0.2	4.75±0.2	17±0.4	12.2±0.2
UF27/34/16B	1	27+0.2/-0.3	17±0.2	16±0.2	5±0.15	17+0.2/-0.3	12±0.2

C1	Ae	Le	Amin	Ve	AL(±25%)				重量 g/PRS
					TS5	TS7	TS10镜面	TS13镜面	
7.02	3.84	26.95	3.60	103.5	490	560	730min	830min	0.50
2.01	10.79	21.71	10.00	234.2	1500	1700	2280min	2600min	1.20
4.03	7.99	32.19	7.92	257.2	920	1050	1300min	1560min	1.34
4.49	7.66	34.39	7.43	263.4	850	1000	1500min	1740min	1.38
4.36	7.94	34.63	7.83	275.0	880	1030	1500min	1740min	1.43
4.58	8.35	38.27	8.19	319.5	880	1050	1300min	1470min	1.66
3.20	12.50	40.05	12.50	500.7	1250	1500	2200min	2700min	2.60
3.05	13.46	40.99	12.63	551.8	1350	1600	2000min	2300min	2.87
1.41	37.44	52.91	37.44	1981.0	3200	3900	4500min	5400min	10.30
1.66	31.94	52.88	31.28	1689.0	2700	3300	6000min	7000min	8.80
2.01	25.50	51.37	24.00	1309.9	2200	2700	4000min	5200min	6.80
1.41	51.75	73.14	51.75	3785.0	3550	4400	4900min	5950min	19.70
0.28	288.00	81.05	288.00	23341.8	18300	22800	25000min	30000min	121.40
2.86	23.40	66.85	23.40	1564.3	1700	2100	2350min	2850min	8.10
1.34	54.16	72.40	53.63	3921.3	3700	4600	5100min	6300min	20.40
1.34	55.00	74.00	55.00	4043.0	3700	4650	5100min	6300min	21.00
1.24	57.74	71.32	57.33	4118.1	4000	5000	5500min	6700min	21.40
1.40	54.00	75.45	54.00	4074.2	3600	4500	5000min	6000min	21.20
0.79	105.60	83.40	105.19	8806.5	6500	8200	8900min	10500min	45.80
1.28	76.34	97.80	76.00	7465.9	4200	5300	5600min	7000min	38.80
1.22	80.00	97.71	80.00	7816.6	4400	5500	5950min	7350min	40.60



**UF 型 / UF Core**

型号 TYPE	图例 FIG.	尺寸 Dimensions ( mm )					
		A	B	C	D	E	F
UF28.3/36/14	2	28.3±0.4	18±0.2	14±0.3		16.3±0.4	12±0.2
UF40/52/16A	1	40±0.5	26±0.2	16±0.3		25±0.4	18.5±0.2
UF41.5/51/18B	1	41.4+0.2/-0.4	25.5±0.2	18±0.2	7±0.15	27.4±0.3	18.5±0.2
UF41.5/50.4/15.1	2	41.5±0.7	25.2±0.3	15.1±0.3	6±0.3	29min	18.9±0.3
UF41.8/52.3/16.3A	1	42+0/-0.5	26+0.3/-0	16.5+0/-0.4	8.3±0.15	25+0.5/-0	17.5+0.3/-0
UF43.2/19/27.9	2	43.2±0.9	9.5±0.15	27.9±0.6		35.4±0.7	5.4±0.15
UF45/42/12A	1	45±0.3	21±0.2	12±0.25	7±0.2	31±0.25	14±0.2
UF46/79/28A	1	46±0.5	39.5±0.5	28±0.5	14±0.3		25.4±0.5
UF54.7/71.7/19.5A	2	55+0/-0.6	35.7+0.3/-0	19.5±0.2	8.5+0.3/-0	37.4+0.2/-0.3	27+0.3/-0
UF56.1/47.2/15.8A	1	56.1±0.6	23.6±0.25	15.75±0.25		38.6±0.6	17.6±0.25
UF59/67/15B	1	59+0.2/-0.4	33.5±0.2	15±0.2	10±0.2	39+0.3/-0.35	23.5±0.2

C1	Ae	Le	Amin	Ve	AL(±25%)				重量 g /PRS
					TS5	TS7	TS10镜面	TS13镜面	
1.18	84.00	99.45	84.00	8353.7	4550	5780	6100min	7600min	43.4
1.23	120.00	148.00	120.00	17708.0	4700	6050	6200min	7800min	92.1
1.20	125.49	150.71	125.10	18912.7	4850	6250	6400min	8100min	98.3
1.66	92.53	153.84	90.60	14235.0	3500	4550	4700min	5800min	74.0
1.08	136.19	147.39	134.47	20072.4	5350	6900	7000min	8950min	104.4
0.93	112.81	104.92	108.81	11836.4	5900	7450	7700min	9800min	61.5
1.67	84.00	139.99	84.00	11759.2	3450	4450	4600min	5700min	61.1
0.46	392.89	181.74	392.00	71403.4	12900	16880	16000min	21000min	370.0
1.25	169.08	210.65	168.68	35617.2	4900	6400	6400min	8050min	18.5
1.53	108.56	165.79	94.50	17998.2	3850	5000	5100min	6400min	93.6
1.36	149.59	203.34	149.25	30417.3	4450	5850	5880min	7400min	158.0